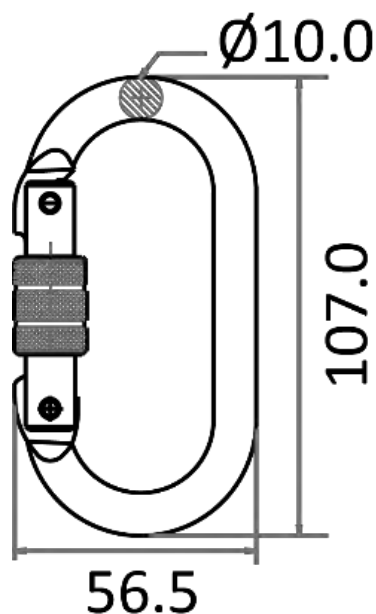




FA 50 101 17



REF.	FA 50 101 17
CE	EN 362:2004 Class B & M
	25 kN / 18 mm
MAT.	
	SCREW
KEYLOCK	---
+	---
	0.16 KG



MAT.



Résistance à la rupture / Ouverture
 Breaking strength / Gate opening
 Resistencia a la ruptura / Apertura
 Resistenza alla rottura / Apertura
 Bruchfestigkeit / Öffnung

Matière
 Material
 Material
 Materia
 Material

Type d'ouverture
 Opening system
 Tipo de apertura
 Sistema di apertura
 Öffnungssystem

HS CODE	73269098
CARTON SIZE / PCS.	38x28x23/100
AET (EU) N° 2777/10347-02/E03-01	
Satra Technology Europe Ltd., N° 2777, Bracetown Business Park, Clonee, Dublin, D15YN2P, Ireland	
MODULE D FI14/14003.02	
SGS Fimko Oy, N°0598 Takomotie 8, 00380 HELSINKI, Finland	